

XCD 2,5/55V

The XCD 2,5/55V lens features nine elements in eight groups, including three aspheric elements. Equivalent to a full frame 43 mm focal length, this standard lens delivers top-class optical performance with a compact build and supports an image resolution of over 100 megapixels. A large aperture of f/2.5 makes it perfect for varied scenarios both indoors and outdoors. Equipped with an upgraded leaf shutter, the XCD 2,5/55V can reach a shutter speed up to 1/2000s and delivers

flash synchronisation at all speeds. The shutter is fast and quiet, and is complemented by the newly designed focusing module delivering quick and accurate focusing. The XCD 2,5/55V lens has both a focus ring and a lens control ring. Changing between AF and MF is achieved by a convenient push and pull of the focus ring. In MF mode, easily check the focus distance and DOF readings. The control ring can be customised for quick access to your preferred function.

GENERAL LENS DATA

Focal length	55 mm
Equivalent Focal length (24x36)	43 mm
Aperture range	2,5 - 32
Angle of view diag/hor/vert	53°/43°/32°
Length/diameter	72/76 mm
Length (from camera lens mount flange)	67 mm
Weight (excl. covers and lens shade)	372 g
Filter diameter	72 mm
Product number	CP.HB.00000718.01

CLOSE FOCUS RANGE DATA

Minimum distance object to image plane	0,45 m
Maximum image scale	1:6,4
Corresponding area of coverage	28 x 21 cm
Corresponding exposure reduction	0 f-stops

COMPATIBILITY

- Hasselblad X System & 907x cameras



LENS DESIGN

9 elements in 8 groups
3 aspherical elements

FOCUS TYPE

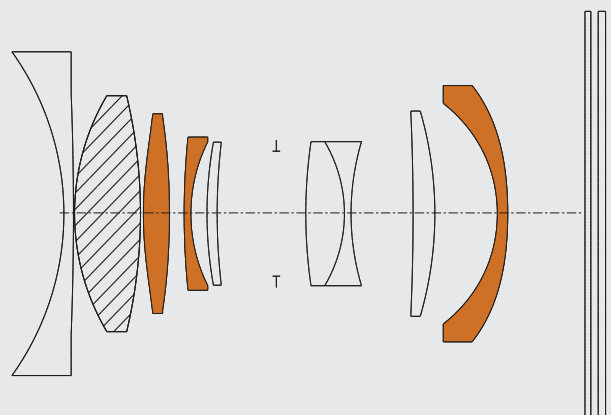
Internal focusing

ENTRANCE PUPIL POSITION

47 mm in front of image plane

The entrance pupil position is the correct position of the axis of rotation when making a panorama image by combining individual images of a scene.

- : Aspherical Lens elements
- / : ED Lens elements

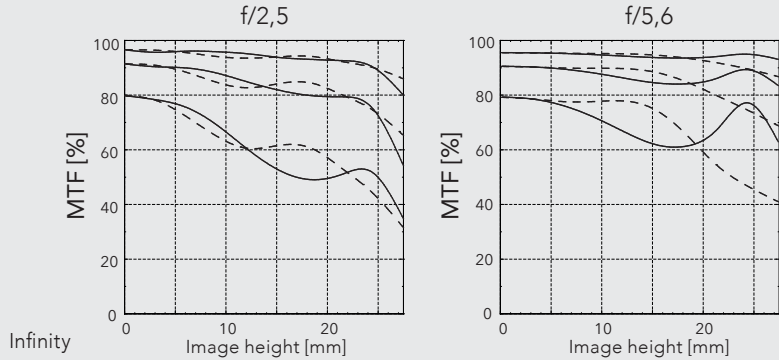


XCD 2,5/55V

MTF

Modulation Transfer as a function of image height at infinity setting.

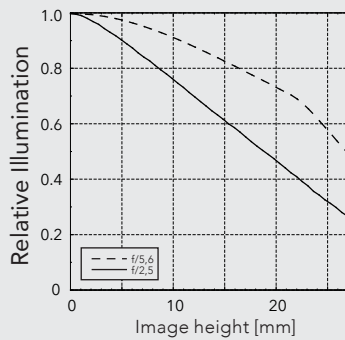
Sagittal slit orientation drawn with continuous line and tangential with dashed. White light. Spatial frequencies 10, 20 and 40 lp/mm.



RELATIVE ILLUMINATION

Infinity setting.

When images are imported to Phocus, light fall-off is automatically removed.



DISTORTION

Infinity setting.

When images are imported to Phocus, distortion is automatically removed.

