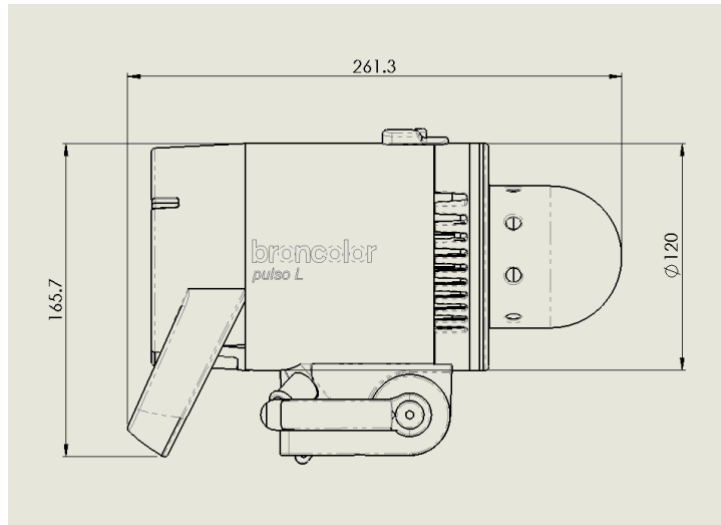


## Pulso L Technical Data Sheet



All above dimensions in millimeters

<b>Pulso L</b>	
<b>in flash mode</b>	
Flash energy	max. 3200 Joules
Modelling light	LED 90 Watt typical 2800 or 5500 K
<b>in continuous light mode</b>	
Colour temperature	2800 to 6800 K in 50 K intervals
Colour rendering index (CRI)	typically 95+
Dimmability	6 to 100%
Green / Magenta correction (colour cast)	control range -25G to +25G (limit below 4000 K and above 5000 K)
<b>Other data</b>	
Focusing	manual, infinitely
Length of lamp cable	5m (16ft)
Length (Handle to tip of protective glass, rearmost position)	262 mm (10.3 in)
Length (Handle to top of transport protective cap)	285 mm (11.2 in)
Height (Handle to top of housing)	166 mm (6.5 in)
Housing diameter	120 mm (4.7 in)
Weight (incl. lamp cable, without protective cap)	3.5 kg (7.7lbs)
Stand mount	for bolts 12 mm (0.47 in), 3/8" thread and bolts 16 mm (0.63 in)
Update option	with lamp cable, connection to Satos power pack
Display	OLED 1.69 inch
Use	- On tripod - Floor installation - Ceiling suspension (separately available safety cable 33.173.00 absolutely necessary)
Temperature range of use	-10 °C to 40 °C
Temperature storage	-10 °C to 50 °C
Cooling system	active (temperature controlled fan)
Cognition light	2x top left/right 5 colours (blue, green, purple, yellow, turquoise)
Compatibility	compatible with broncolor bayonet
Menu language	English (more in preparation)
Warranty period	factory warranty of 2 years from date of purchase (for the first owner)
Item number	32.130.00 (3200 J) 32.131.00 (1600 J)

\*\*\* Typing mistakes, errors and technical changes reserved \*\*\*